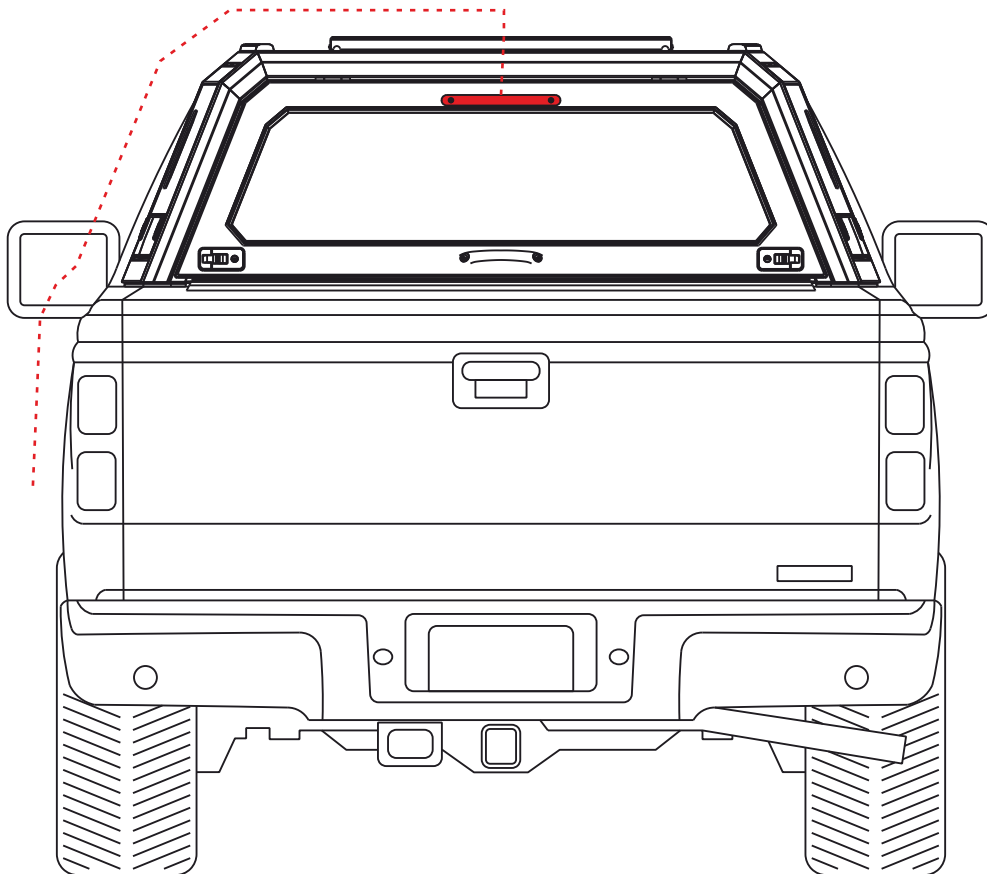


SMARTCAP EVO

2015 - 2021 F150 CHMSL WIRING HARNESS INSTRUCTION



FOLLOW INSTRUCTIONS CAREFULLY TO AVOID DAMAGE TO COMPONENTS OR THE VEHICLE

FOR SUPPORT ISSUES IN NORTH AMERICA CONTACT - SUPPORT.NA@RSISMARTCAP.COM

FOR SUPPORT ISSUES OUTSIDE OF NORTH AMERICA CONTACT - SUPPORT.SA@RSISMARTCAP.COM



RSISMARTCAP.COM - 775 636 9664

WIRING REFERENCE GUIDE



STEP ONE

ROUTE THE CHMSL EXTENSION HARNESS THROUGH THE TOP HOLE IN THE CORNER PILLAR, BEHIND THE TAILLIGHT, AND THROUGH THE HOLE AT THE BOTTOM OF THE TAILLIGHT WELL. REFER TO PICTURE (1, 2, 3)

STEP TWO

LOCATE THE TAILLIGHT HARNESS CONNECTION BETWEEN THE INSIDE OF THE LEFT FRAME RAIL AND THE SPARE TIRE. REFER TO PICTURE (4, 5)

STEP THREE

PUSH DOWN ON THE LOCKING-TAB, PULL THE PLUGS APART, PLUG IN T-HARNESS AND ROUTE WHITE GROUND WIRE OVER THE TOP OF THE FRAME RAIL. REFER TO PICTURE (6)

STEP FOUR

FASTEN GROUND WIRE USING OE 10MM BOLT LOCATED AT THE OUTSIDE REAR OF THE LEFT FRAME RAIL, WIRE-TIE EXCESS HARNESS OUT OF THE WAY, DOUBLE-BACK TAPE BLACK BOX TO CLEAN, FLAT SURFACE AND CONNECT T-HARNESS TO CHMSL EXTENSION HARNESS. REFER TO PICTURE (7)