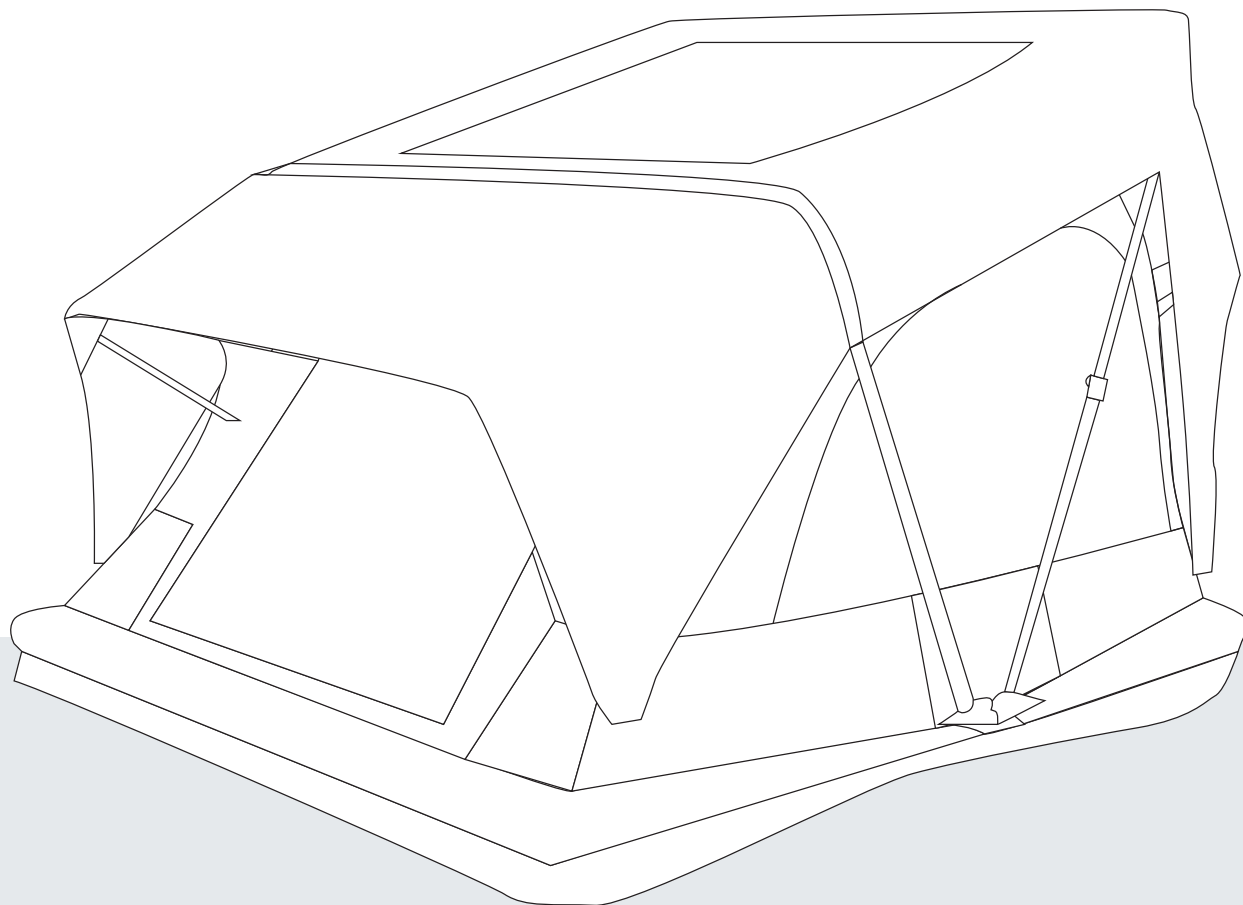




XD Sherpa Roof Top Tent



**CAREFULLY READ INSTRUCTIONS
PRIOR TO THE FIRST USE OF THE
XD SHERPA ROOF TOP TENT**

XD Sherpa Roof Top Tent

SET-UP & CARE INSTRUCTIONS

18209905 XD Sherpa Solo - Soft Sided Roof Top Tent 1 Person
18209902 XD Sherpa S2S - Soft Sided Roof Top Tent 2 Person
18209903 XD Sherpa S3S - Soft Sided Roof Top Tent 3 Person
18209904 XD Sherpa S4S - Soft Sided Roof Top Tent 4 Person

GET TO KNOW YOUR XD SHERPA ROOF TOP TENT

We recommend you check all parts are included prior to first use.

COMPONENTS INCLUDED

2x Ladder Support Bracket
4x Extrusion Plastic End Cap
4x Mounting Plate
16x Flat Washers
16x M8 Nylon Lock Nut

8x M8 x 1.25 45mm Long Bolt
8x M8 x 1.25 15mm Long Bolt
1x Ladder
2x Spare Extension Clips

GETTING STARTED

1

Find a flat area to work & open the carton. This will provide a clean surface to work on while tent is being set up. Check that all components are supplied.

ASSEMBLY OF COMPONENTS

2

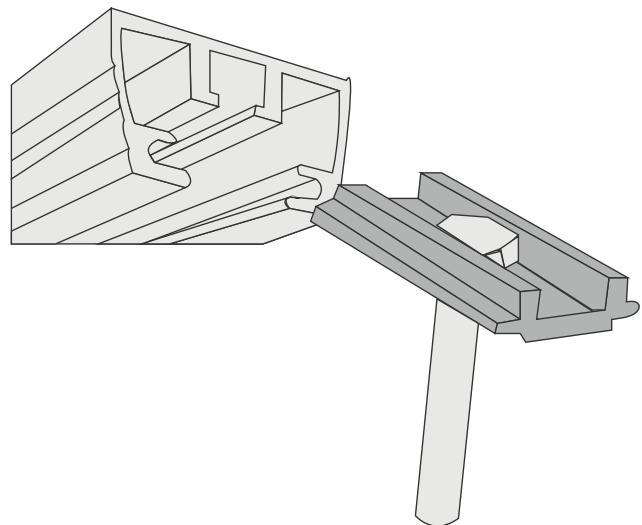
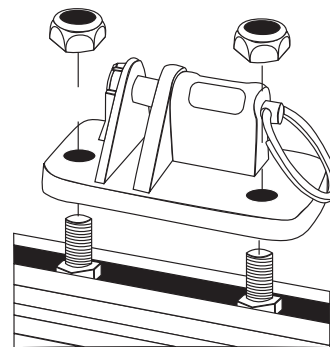
LADDER SUPPORTS

Identify the required entry point to the tent as this will determine the position of the ladder brackets. Position the ladder brackets approx. 15" apart in the center of the entry point.

Place the tent on top of your vehicle rack system, ensuring the mounting tracks are perpendicular to the bars they will mount to, and the tent is centered on the roof rack.

Position the hinge so that the tent will open to the desired side

Slide the M8 bolts and channel sliders into the mounting tracks. Lift one side of the tent to position one set of bolts and channel sliders on the inner side of the roof rack bar and an additional set on the opposite side. Repeat on all four corners.



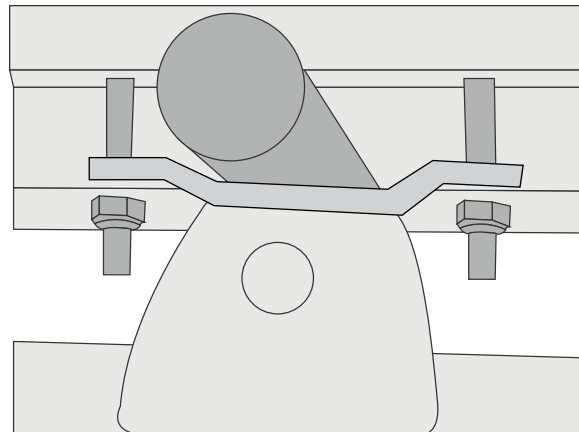
XD Sherpa Roof Top Tent

SET-UP & CARE INSTRUCTIONS

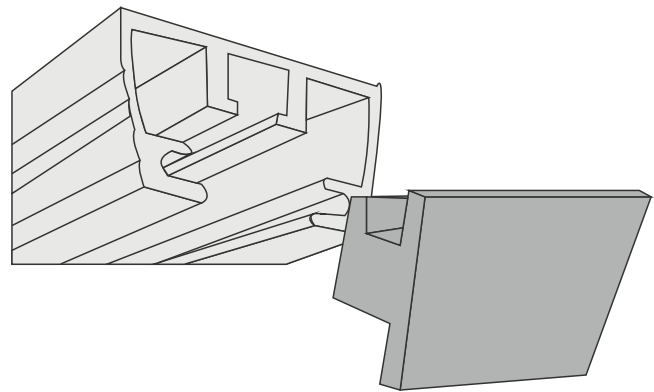
18209905 XD Sherpa Solo - Soft Sided Roof Top Tent 1 Person
18209902 XD Sherpa S2S - Soft Sided Roof Top Tent 2 Person
18209903 XD Sherpa S3S - Soft Sided Roof Top Tent 3 Person
18209904 XD Sherpa S4S - Soft Sided Roof Top Tent 4 Person

3

At each of the four corners where the rack bars and mounting tracks cross, using a steel mounting plate and nylock nuts to secure the bolts on either side of the bar. Tighten all eight bolts securely with the included nuts and wrench. Check all the mounting bolts and brackets periodically during use.



After ensuring the tent is positioned correctly and all eight bolts are tightened securely, insert rubber end caps into the ends of the mounting tracks. This may require light taps from a hammer.

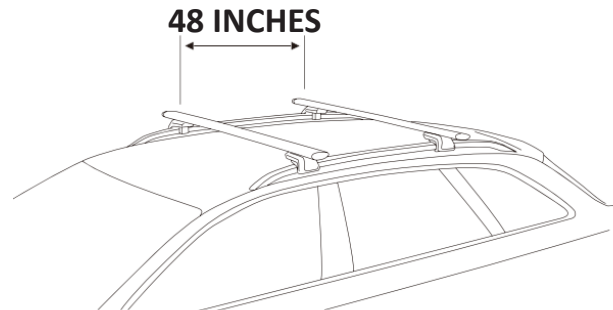


4

- Avoid storing your tent wet. If conditions dictate that you do, open, and dry out as soon as possible to avoid moisture damage.
- The overall height of your vehicle is increased when driving with your roof top tent.
- The center of gravity is altered when the rooftop tent is fitted to your vehicle. Adjust your driving to accommodate this change.

Your Roof Top Tent should be positioned to open driver side or passenger side.

The minimum spacing between the roof rails is to be 48 inches to ensure that the tent is supported correctly, the weight is evenly distributed



XD Sherpa Roof Top Tent

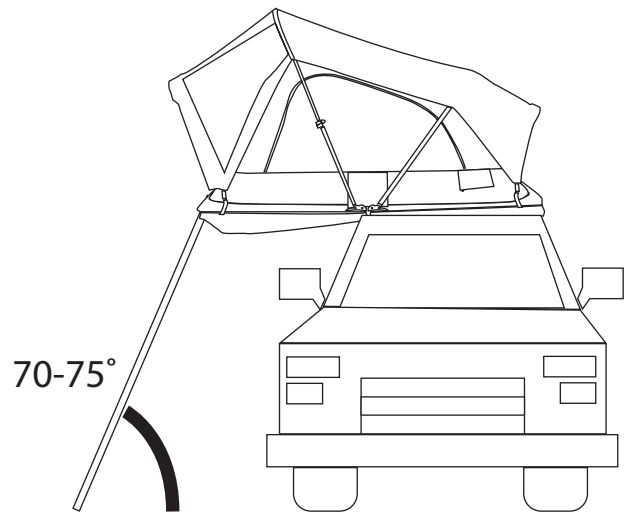
SET-UP & CARE INSTRUCTIONS

18209905 XD Sherpa Solo - Soft Sided Roof Top Tent 1 Person
18209902 XD Sherpa S2S - Soft Sided Roof Top Tent 2 Person
18209903 XD Sherpa S3S - Soft Sided Roof Top Tent 3 Person
18209904 XD Sherpa S4S - Soft Sided Roof Top Tent 4 Person

5

Locate the flexible awning stays into the mounts on the front edge of the tent base, flex these and locate in the eyelets on the awning, unzip entry door and enter the roof top tent.

Once the tent is fixed securely to the vehicle's roof rack and the vehicle is positioned with the hand brake applied, attach the ladder, and ensure that it is secure and is locked in position and on an angle of 70 to 75 degrees.



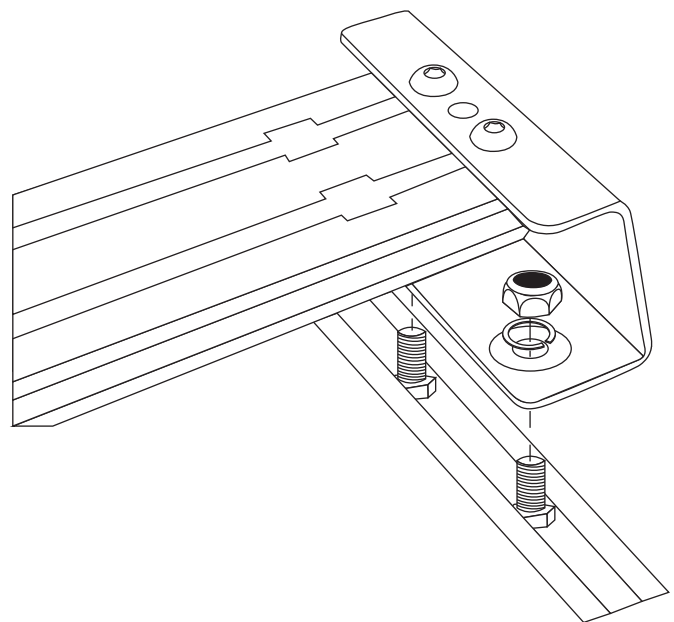
6

OPTIONAL ROOF BARS

The tent is supplied with two (2) roof bars that are fitted to the side channels on the roof lid.

Slide the heads of M8 x 1.25 15mm Bolts into the channel of the roof lid near desired location. Align and place the roof bar ends to the location of the bolt positions, through the holes. Then insert the washers, lock washers, and lock nuts.

Once the rails are in correct location tighten all lock nuts.



XD Sherpa Roof Top Tent

SET-UP & CARE INSTRUCTIONS

JULY 2024

CLEANING

1. Open the tent fully and brush / vacuum inside.
2. Clean the fabric as needed using a mild detergent, warm water, and a soft to medium brush. Rinse fabric of all detergent prior to drying.
3. Dry tent in the sun with all windows open. The tent must be completely dry before storage, or mildew and mold may occur. This is especially necessary after camping in rain or wet conditions.
4. Using a small brush, remove dirt from zippers. Use a silicon spray to keep zippers lubricated.
5. Using a small brush, remove dirt from zippers. Use a silicon spray to keep zippers lubricated.
6. Wash mattress pad and hang dry

CLOSING & STORING

- It is possible to leave sleeping bags and pillows on the mattress if laid flat, however these may need to be removed if it is difficult to close the tent, as this may put excessive pressure on hinges and latches that may cause failures or damage to the tent.
- Release and store the safety pole, exit the tent, and detach the flexible awning stays and store.
- Open the latches on both side support struts, then push up and fold the tent. After this, tuck in all excess fabric. Then use the zippers to close the tent.
- WHEN THE XD SHERPA ROOF TOP TENT IS BEING STORED OFF OF THE VEHICLE, USE THE STORAGE COVER TO PREVENT DUST AND WATER DAMAGE TO THE TENT.



WARNINGS

- **THE SHERPA ROOF TOP TENT HAS BEEN DESIGNED FOR GENERAL CAMPING USE UNDER NORMAL CONDITIONS.**
- **TO AVOID CHANCES OF PERSONAL INJURY AND PROPERTY DAMAGE, WE HIGHLY RECOMMEND THE SHERPA ROOF TOP TENT SHOULD NOT BE ERECTED DURING WINDY CONDITIONS AS PERSONAL INJURY AND OR PROPERTY DAMAGE MAY OCCUR.**
- **DO NOT CUT OR MODIFY THE TENT OR MOUNTING ACCESSORIES.**
- **DO NOT EXCEED THE VEHICLE MANUFACTURER'S WEIGHT LIMITS.**
- **PERIODICALLY CHECK THAT ALL NUTS AND BOLTS ARE SECURELY FASTENED TO THE RTT AND YOUR VEHICLE.**
- **ENSURE THEY ARE TIGHT AND GOOD CONDITION**
- **DO NOT USE DAMAGED OR EXCESSIVELY WORN PRODUCTS. CONTACT US IF YOU ARE UNSURE.**
- **KEEP ALL FLAMES AND HEAT SOURCES AWAY FROM THE FABRIC**
- **UNDER NO CIRCUMSTANCES SHOULD ANY NAKED FLAME SOURCES BE USED NEAR THE TENT, KEEP FIRES AWAY FROM THE TENT**
- **KEEP A LOOK OUT FOR ANY AIRBORNE BURNING EMBERS THAT MAY COME IN CONTACT WITH THE TENT. KEEP A FIRE EXTINGUISHER OR BUCKET OF WATER NEAR BY.**
- **DO NOT OPERATE ANY DEVICES WHICH BURN FUEL INSIDE THE TENT WHILE THE WALLS ARE ATTACHED.**
- **KEEP EXITS CLEAR**
- **KEEP AN EYE OUT FOR CHILDREN WHEN TENT IS IN USE**
- **STOW AWAY TENT BEFORE OPERATING VEHICLE**



DO YOU NEED OUR HELP?



CUSTOMER SUPPORT 833-226-4863



SALES@OVERLANDVEHICLESYSTEMS.COM

WANT TO SHOW US YOUR RIG?
CHECK OUT OUR SOCIAL!

@overlandvehiclesystems

