

## REAR BUMPER

2016-2023/TOYOTA TACOMA

R6802350901NA



### TOOLS REQUIRED

- 10mm, 12mm, 17mm, 7/16, 3/4 sockets
- 10mm, 12mm, 17mm, 7/16, 3/4 wrenches
- Pushpin Puller or Flathead Screwdriver
- 5/32 Allen



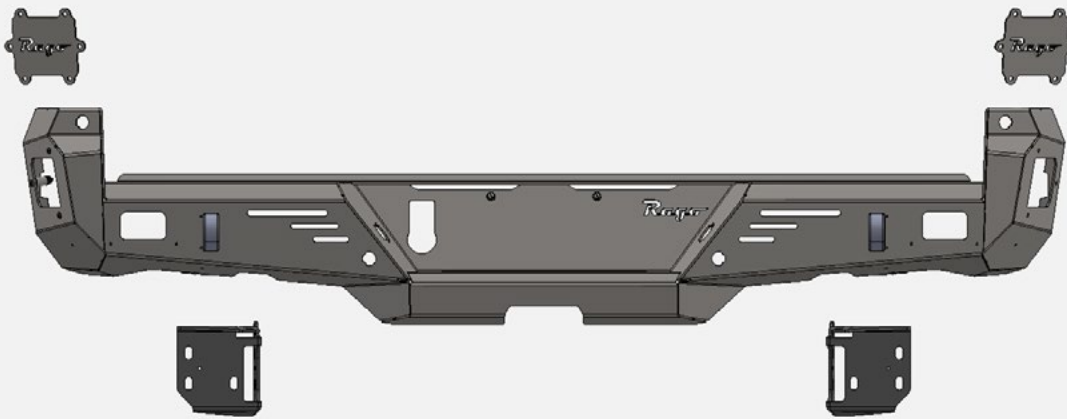
### SKILL LEVEL

- Easy



### TIME REQUIRED

- Approximately 3 Hour



## ⚠ WARNINGS/CAUTIONS BEFORE STARTING INSTALLATION ⚠

**-BEFORE YOU INSTALL THIS KIT-**

**Read and understand all instructions,** warnings, cautions, & notes contained in this installation instruction guide. Consult your vehicle owner's manual for proper disconnection of electrical and lifting of vehicle if required for installation of this product.

This install may require some technical skills and knowledge of basic mechanical work. If you do not feel that you are capable of performing this install please take this product to a trained professional.

After reading this guide please contact us with any questions or concerns before installing product.

Customer Service: 830-896-7571  
Rago Fabrication is **not** responsible for any bodily injury or harm to you or your vehicle as a result of an improper install.

Proper installation of this kit required knowledge of the factory recommended procedures for removal and installation of original equipment components.

We recommend that the factory shop manual and any special tools needed to service your vehicle be on hand during the installation. Installation of this kit without proper knowledge of the factory recommended procedures may affect the

performance of these components and the safety of the vehicle. Inspect all contents of this package to make sure product is not damaged and all installation hardware has been included. If parts are missing from kit, please be prepared to provide the following information:

1. Name of purchase location
2. Bar Code on side of box
3. Date above bar code
4. Date inside box cover

**\*ALWAYS WEAR EYE PROTECTION  
WHEN OPERATING POWER TOOLS\***

## HARDWARE

**A.**



1/4-20 X 1 1/2" BUTTON HEAD BOLT

**QTY: 6**

**A1.**



1/4" FLAT WASHER

**QTY: 6**

**A2.**



1/4-20" NYLON LOCK NUT

**QTY: 6**

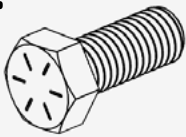
**B.**



1/4" HOLE X 3/4" LONG SPACER

**QTY: 6**

**C.**



1/2-13 X 1 1/4" HEX HEAD BOLT

**QTY: 6**

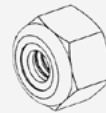
**C1.**



1/2" FLAT WASHER

**QTY: 12**

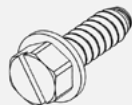
**C2.**



1/2-13" NYLON LOCK NUT

**QTY: 6**

**D.**



1/4 X 3/4" TYPE B HEX HEAD SCREW

**QTY: 2**

**D1.**



NYLON PLASTIC SNAP IN NUT

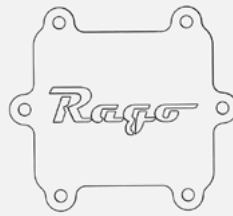
**QTY: 2**

Reference this page throughout the install



**PARTS**

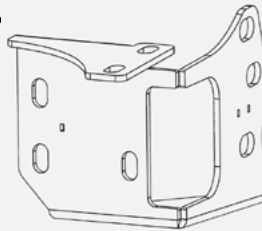
**E.**



SPL0760

**QTY: 2**

**F.**



SPL0717

**QTY: 2**



## □ STEP 1

Unplug the wire harness located on the driver side above the spare tire.



**□ STEP 2**

Unplug the trailer plug as shown below.



## □ STEP 3

Unplug the license plate light by turning counterclockwise and pulling.



## □ STEP 4

Remove the license plate bezel by pushing the two tabs in as shown below.



**PUSH IN**

**STEP 5**

Using a (flathead screwdriver) or a (fastener removal tool), remove the push pin located in middle of the bumper.



## □ STEP 6

Using a (flathead screwdriver) or a (fastener removal tool), remove the push pin located under the bumper as shown below.



**STEP 7**

Remove the top plastic cover by pulling up.



## □ STEP 8

With a helping hand, hold the plastic cover while another unplugs the parking sensors. Do so by pushing in on the tab and pulling.



## □ STEP 9

Next, using a (12mm socket), remove the mounting hardware located on top of the bumper on both driver and passenger side. (Save hardware)



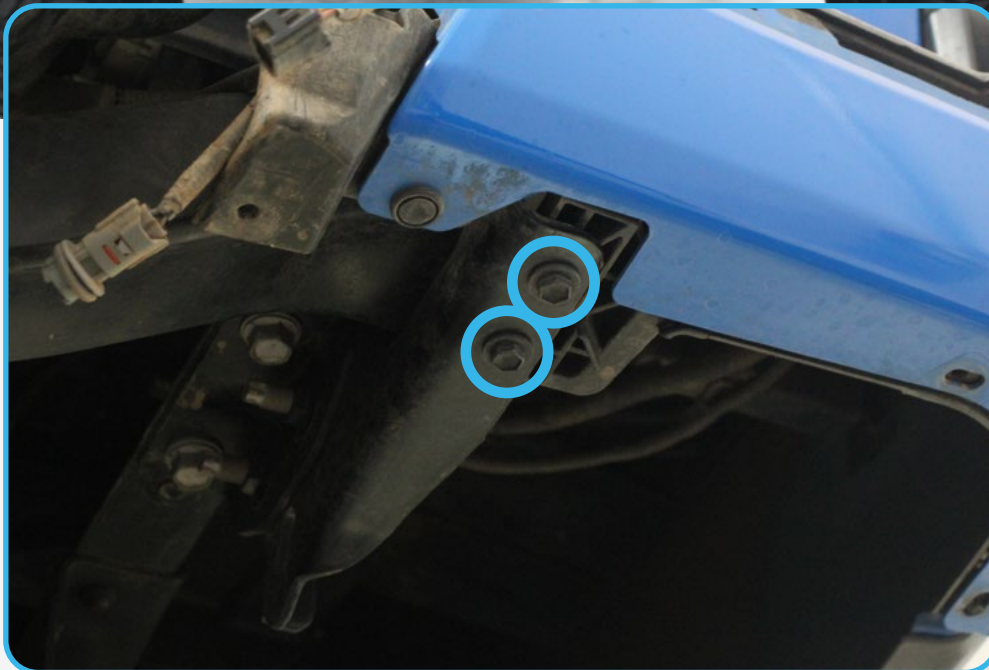
**STEP 10**

Remove mounting hardware located in the center using a (12mm socket).



## □ STEP 11

Next remove the bottom mounting hardware located under the bumper using a (12mm socket).



**STEP 12**

You can now fully remove the OEM bumper and set aside.



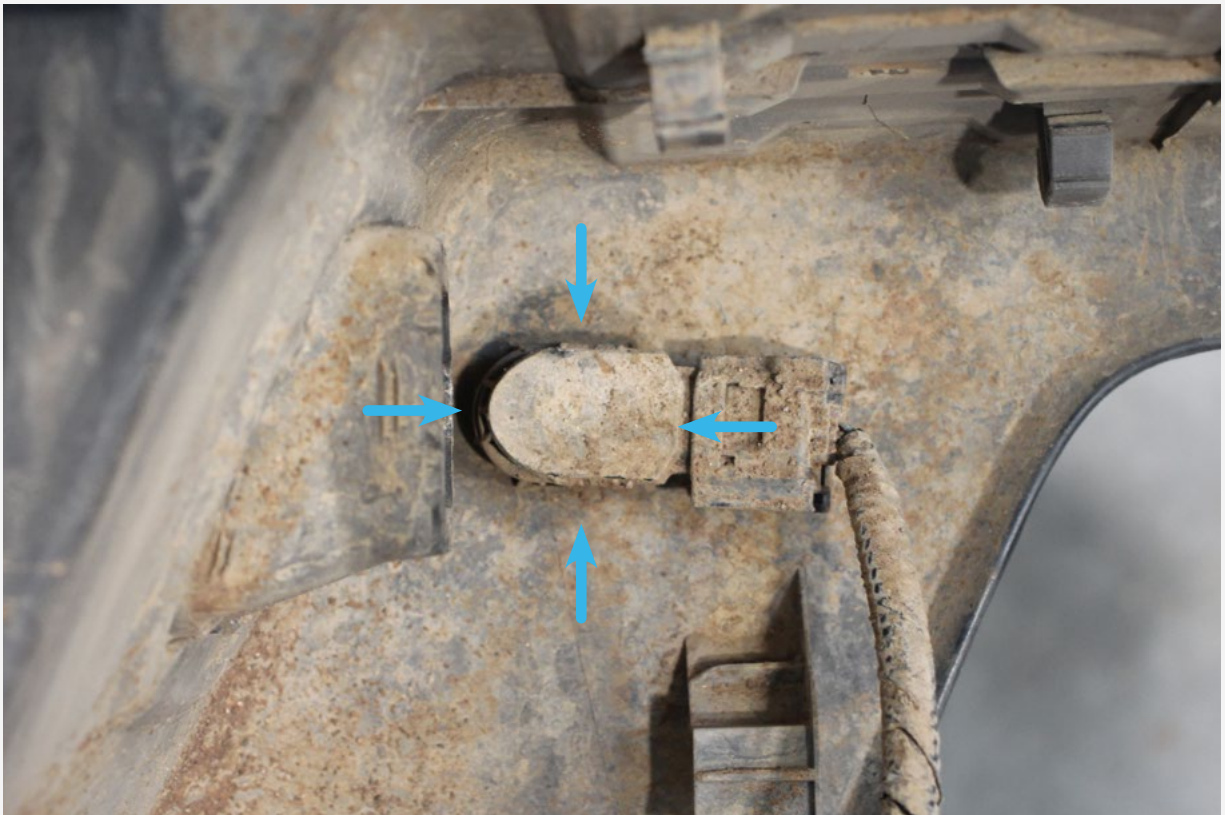
## □ STEP 13

Using a (flathead screwdriver) or a (fastener removal tool), remove the push pins located on the backside of the bumper shown in **fig 1** and the underside of the bumper shown in **fig 2** to remove the plastic covers.



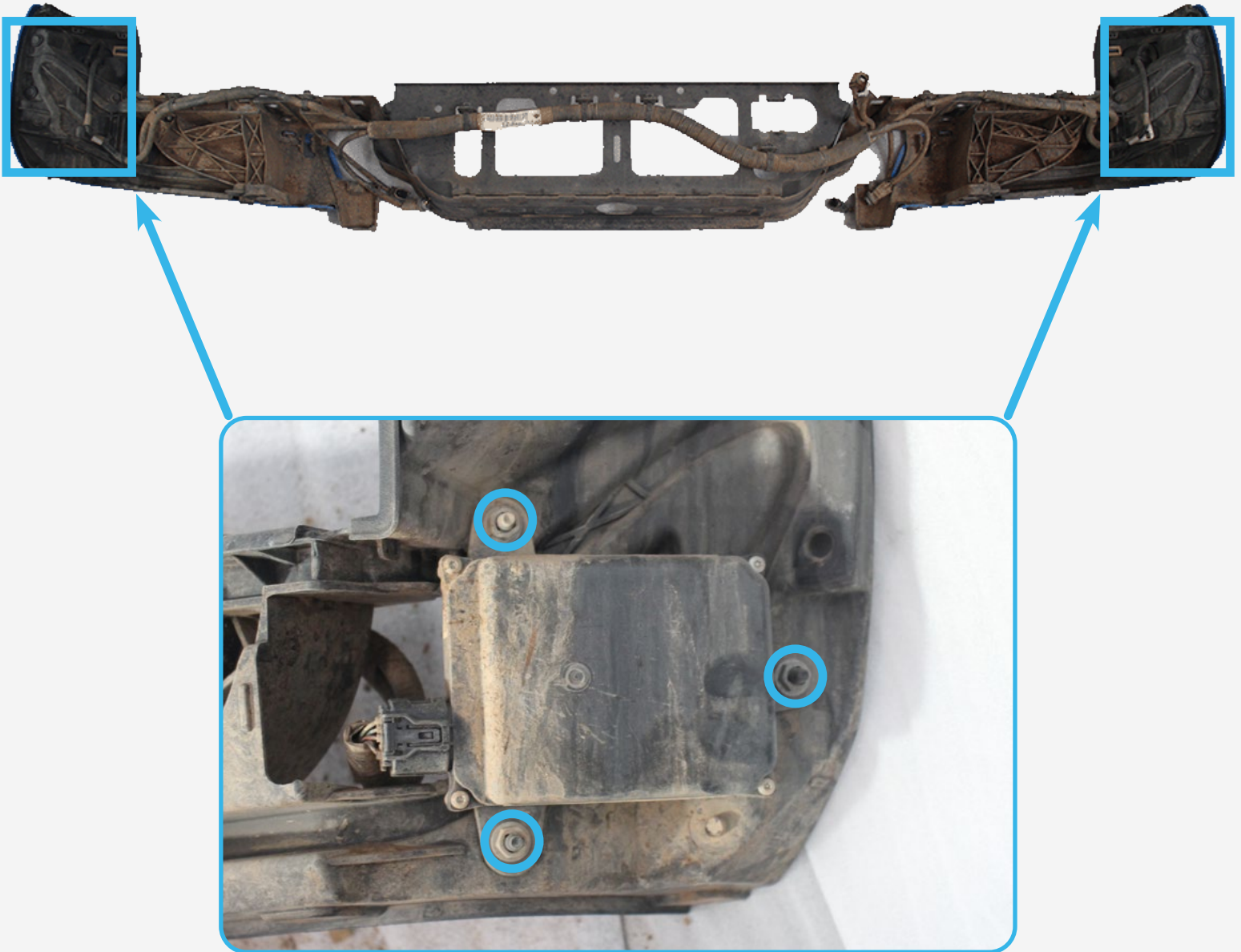
## □ STEP 14

Remove the parking sensors by pushing in on all four tabs located on each side of the sensor and then push out. (Remember orientation for install)



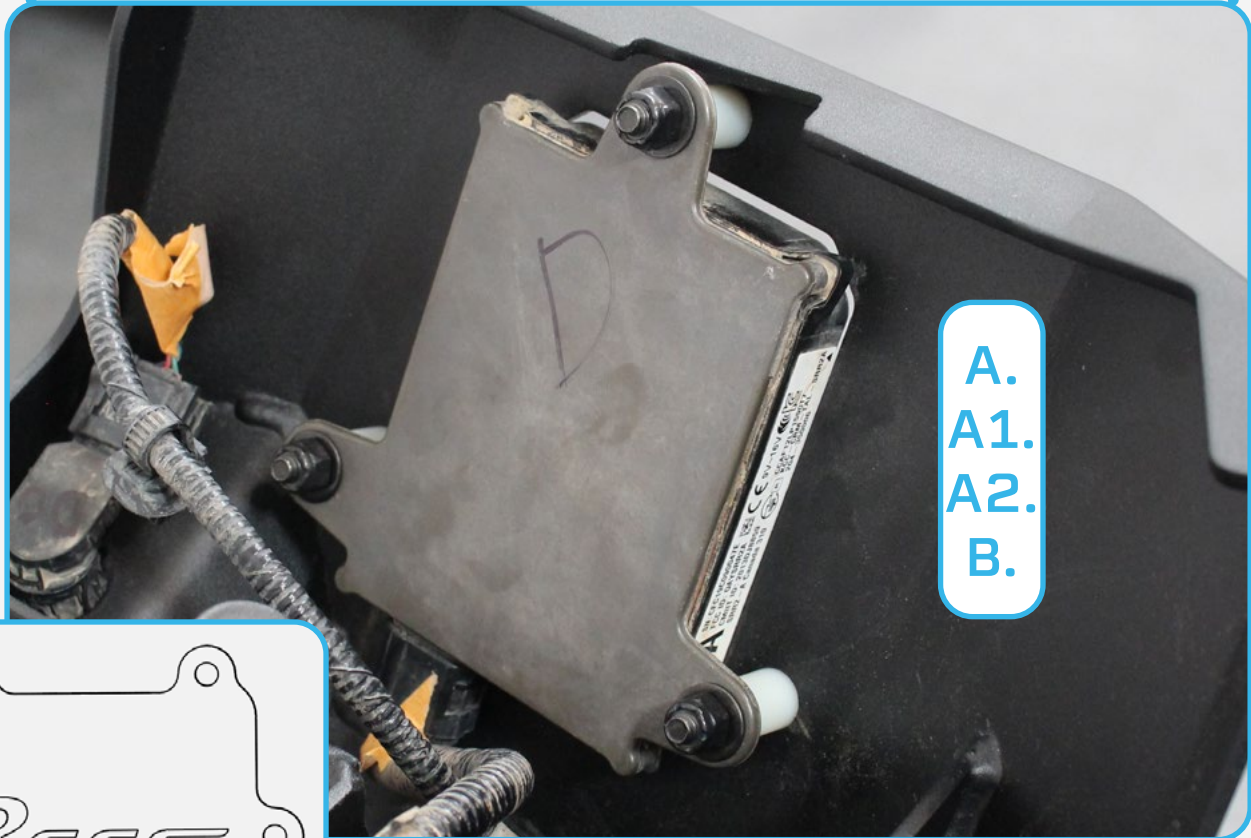
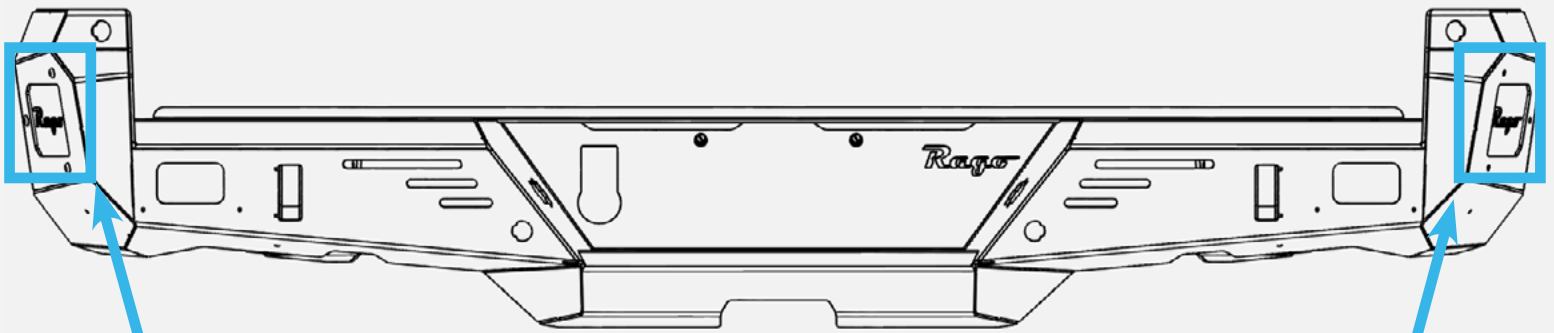
## □ STEP 15

If the bumper is equipped with blind spot sensor use a (10mm socket), remove the OEM hardware holding the blind spot sensors.



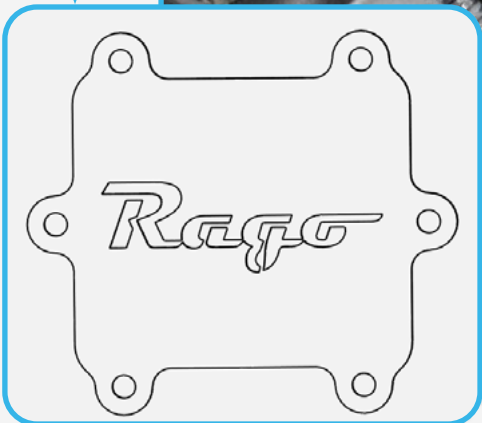
## □ STEP 16

Install the blind spot sensors with the provided (A, A1, A2, B) 1/4" hardware and spacers using a (5/32 allen) and a (7/16 wrench). If you do not have blind spot sensors, install the provided (E) blind spot cover with the same hardware explained before.



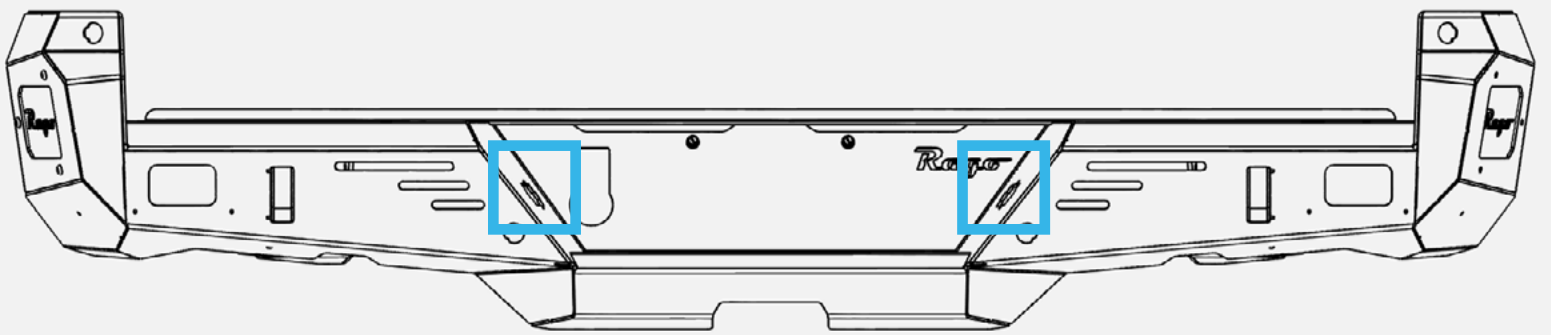
E.

A.  
A1.  
A2.  
B.



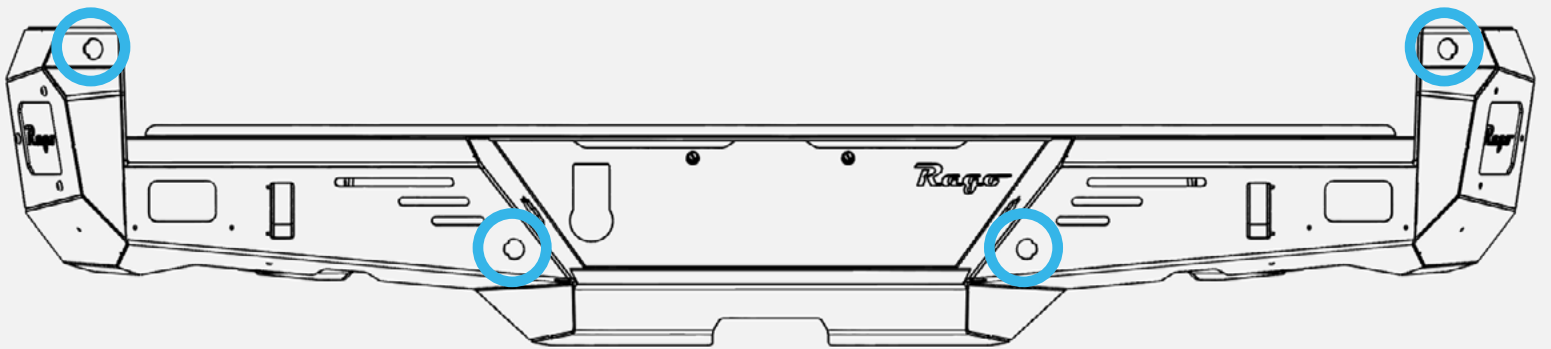
**STEP 17**

Install the license plate light bezels and light as shown below.



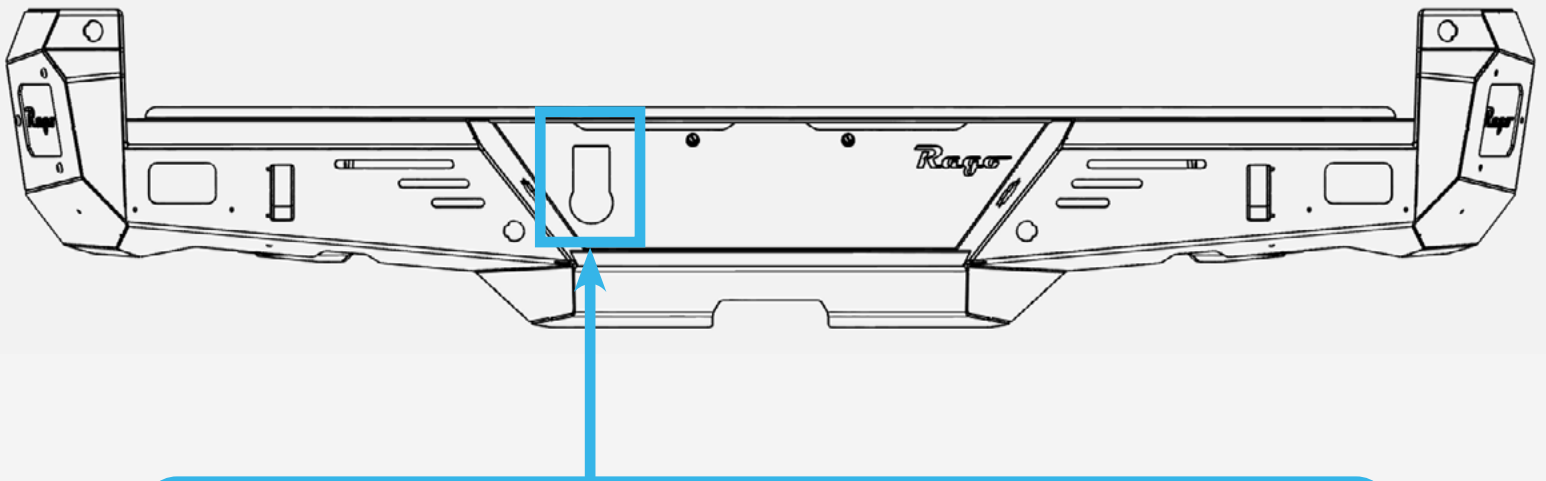
**STEP 18**

Install the sensor bezels.



**STEP 19**

Install the trailer plug.



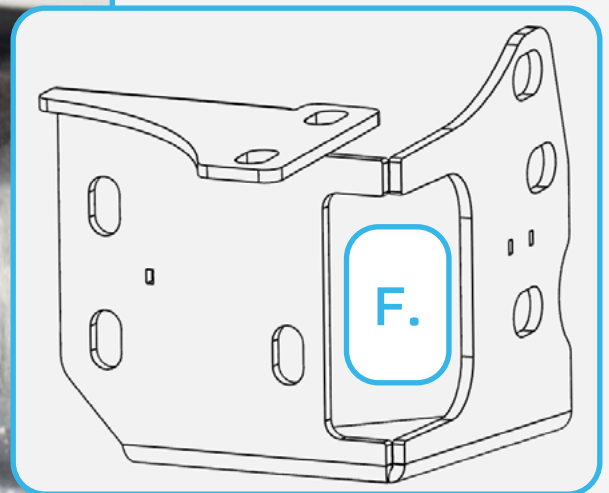
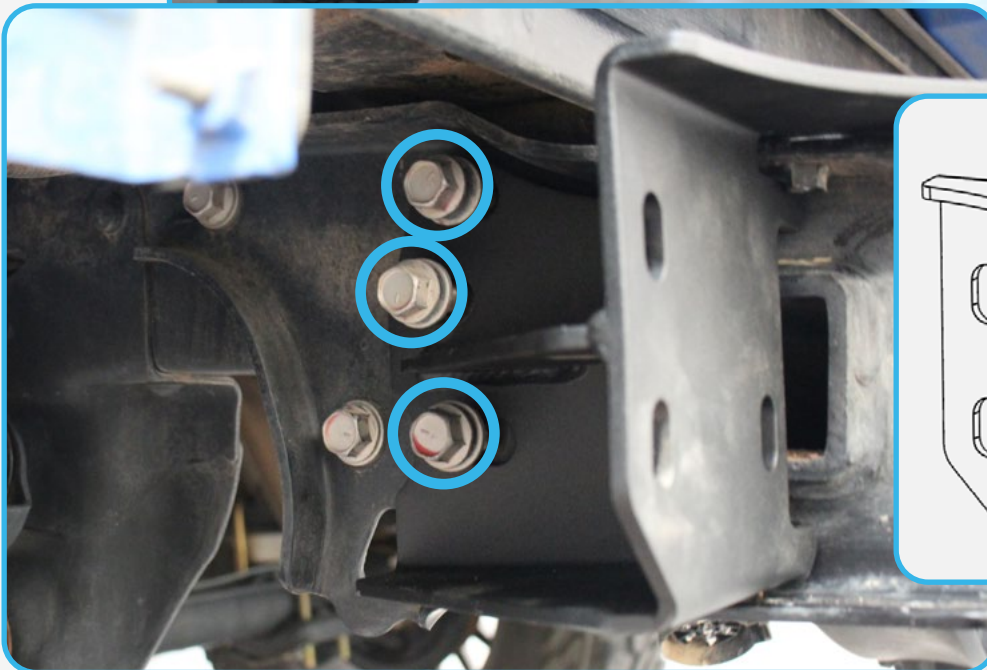
STEP 20

Using a (17mm socket), remove the 3x OEM bolts on the hitch as shown below. **\*\*Remove one side at a time and install following step 21\*\***



**STEP 21**

Install the provided (F) Mounting brackets using the same hardware removed from **step 20**.



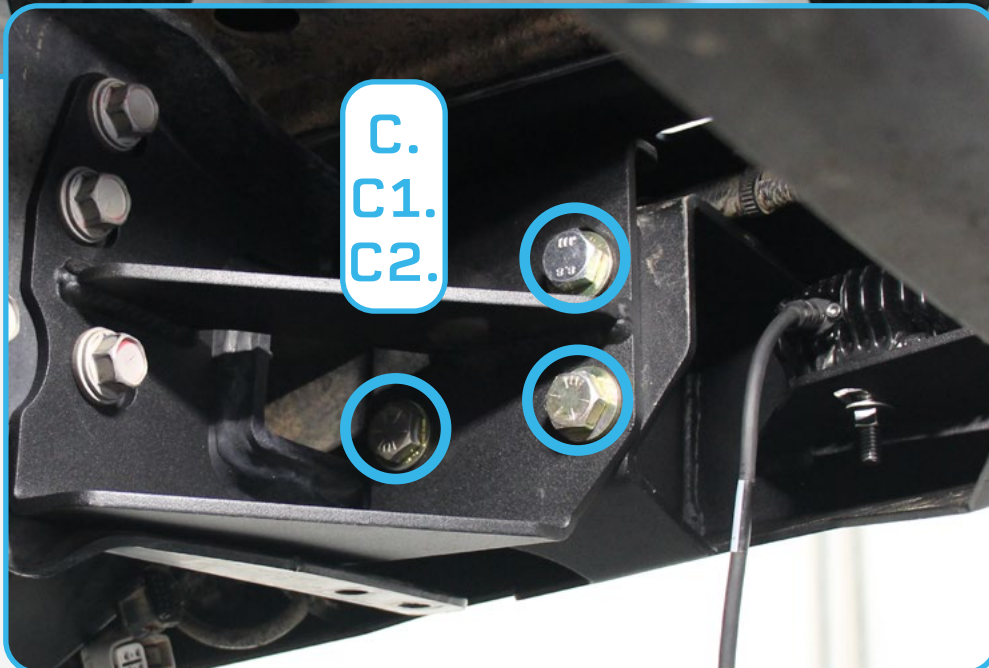
**STEP 22**

Install the OEM hardware removed from **step 9** using a (12mm socket).



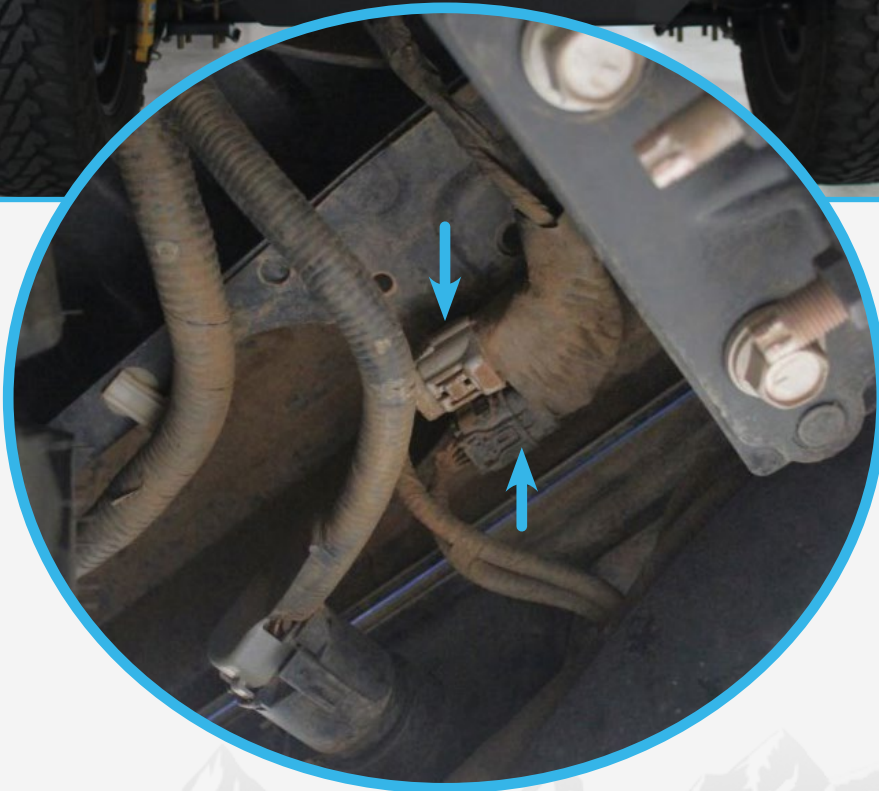
**STEP 23**

With a helping hand, install the Rear Bumper with the provided **(C, C1, C2)** 1/2" hardware using a **(3/4 socket)** and a **(3/4 wrench)**.



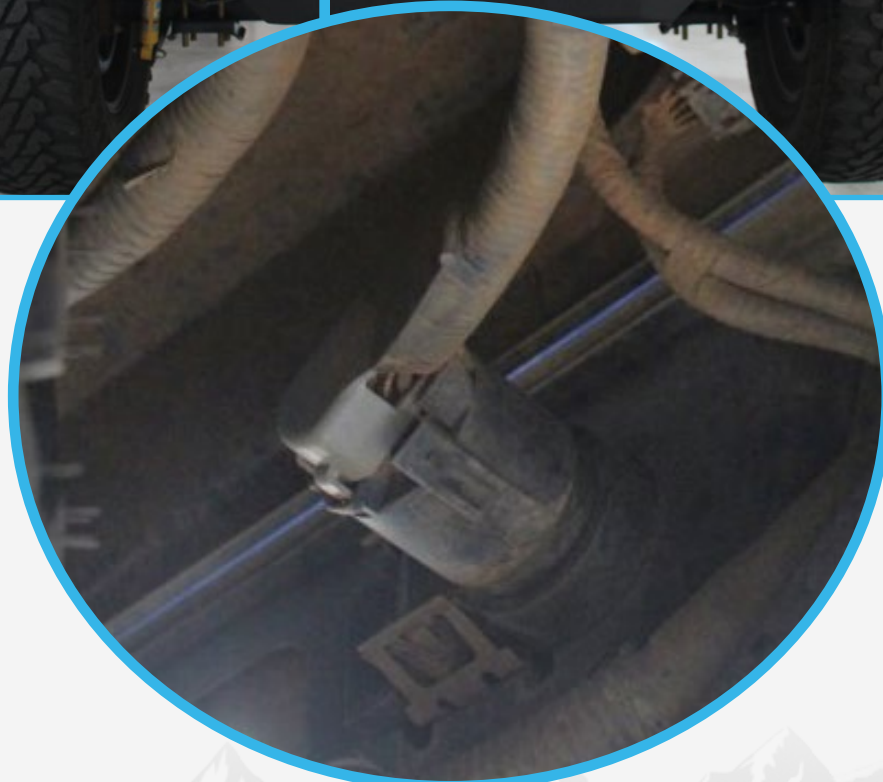
**STEP 24**

Plug in the wire harness as shown below.



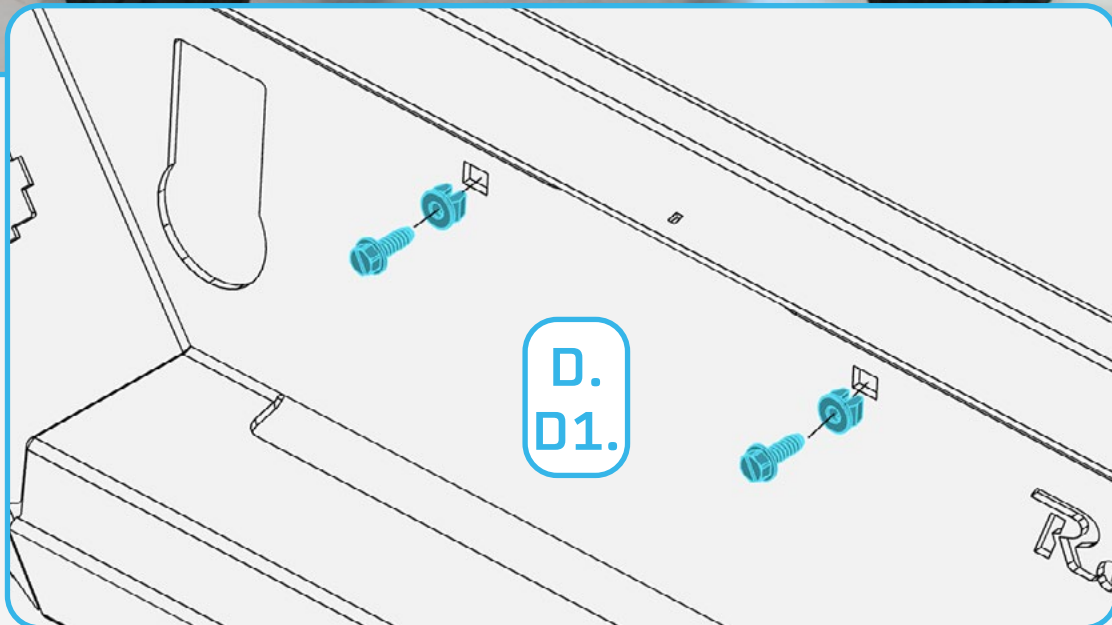
**STEP 25**

Plug in the trailer plug as shown below.



**STEP 26**

Install the provided **(D, D1)** license plate hardware using a **(Flathead screwdriver)**.



## STEP 27

Stand back and enjoy your new RAGO Rear Bumper.

Check and re-tighten all mounting bolts after 100 miles and periodically thereafter.

